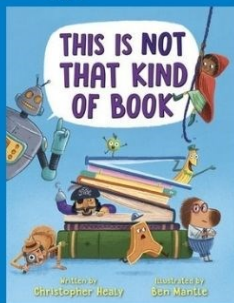




# THIS IS NOT THAT KIND OF BOOK ACTIVITY SHEET

BOOK BY CHRISTOPHER HEALY

ILLUSTRATED BY BEN MANTLE



The story has many different characters. Can you complete these challenges about each character?

Aug. 1st-  
Sep. 7th

## RED RIDING HOOD

Decorate the hood and cape outline attached.



\_\_\_\_\_

\_\_\_\_\_

\_\_\_\_\_

\_\_\_\_\_

THE LETTER

# A

Find 5 things that start with A in your house or in the world around you.



## HEDGEHOG

solve the attached word search about friendship.

## ROBOT FROM MARS

Make your own Toilet paper Robot from Mars

Be as creative as you want using the things you have. If you need supplies you can stop by the library to pick some up.



image from <https://gluesticksgumdrops.com/robot-toilet-paper-roll-craft/>



## PIRATE

Solve this Riddle:

If you're sailing on a pirate ship  
To find your way you'll need at least  
This item that will guide the way  
By pointing north, south, west and east

\_\_\_\_\_

## BANANA

Write your own Joke



\_\_\_\_\_

\_\_\_\_\_



## DETECTIVE

Sign up for one of the library's summer reading programs, Learn more at [virl.bc.ca/src](http://virl.bc.ca/src) (kids), [virl.bc.ca/teen-summer-challenge](http://virl.bc.ca/teen-summer-challenge) (teens) or [virl.bc.ca/adult-summer-reading-challenge](http://virl.bc.ca/adult-summer-reading-challenge) (adults). Or visit the library.

FINAL TASK:

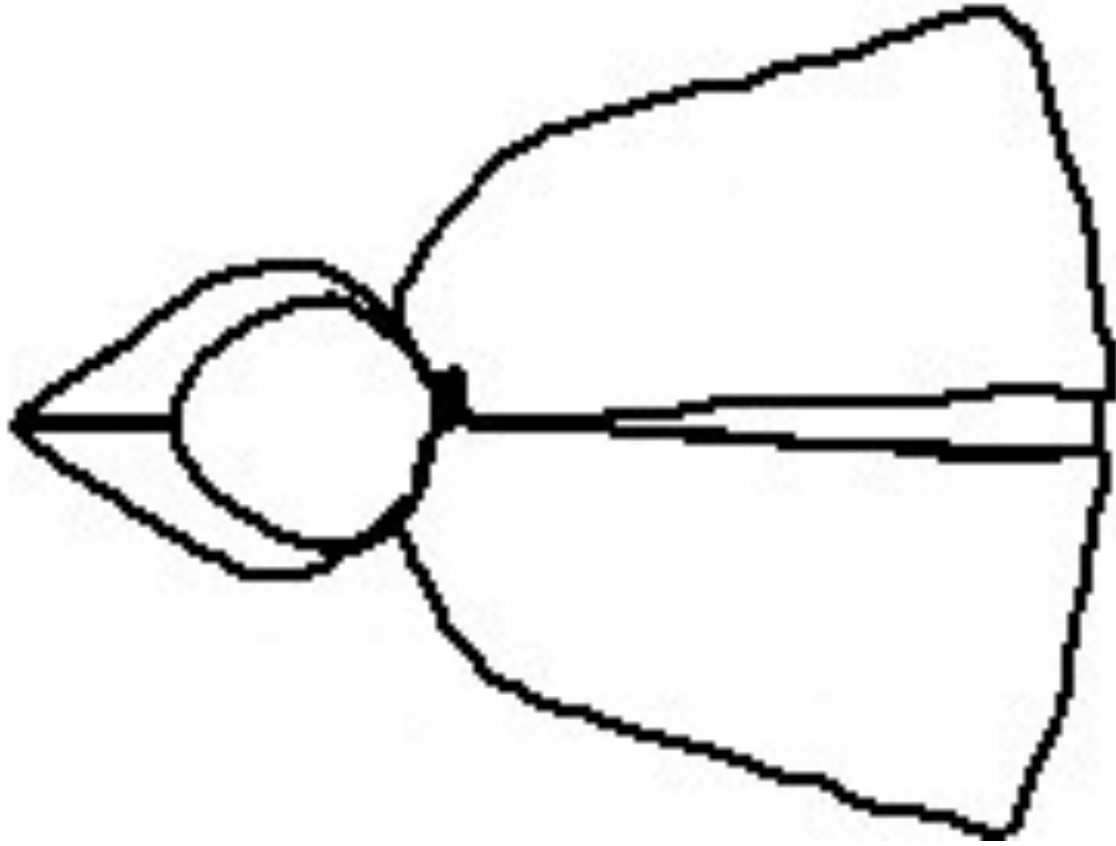
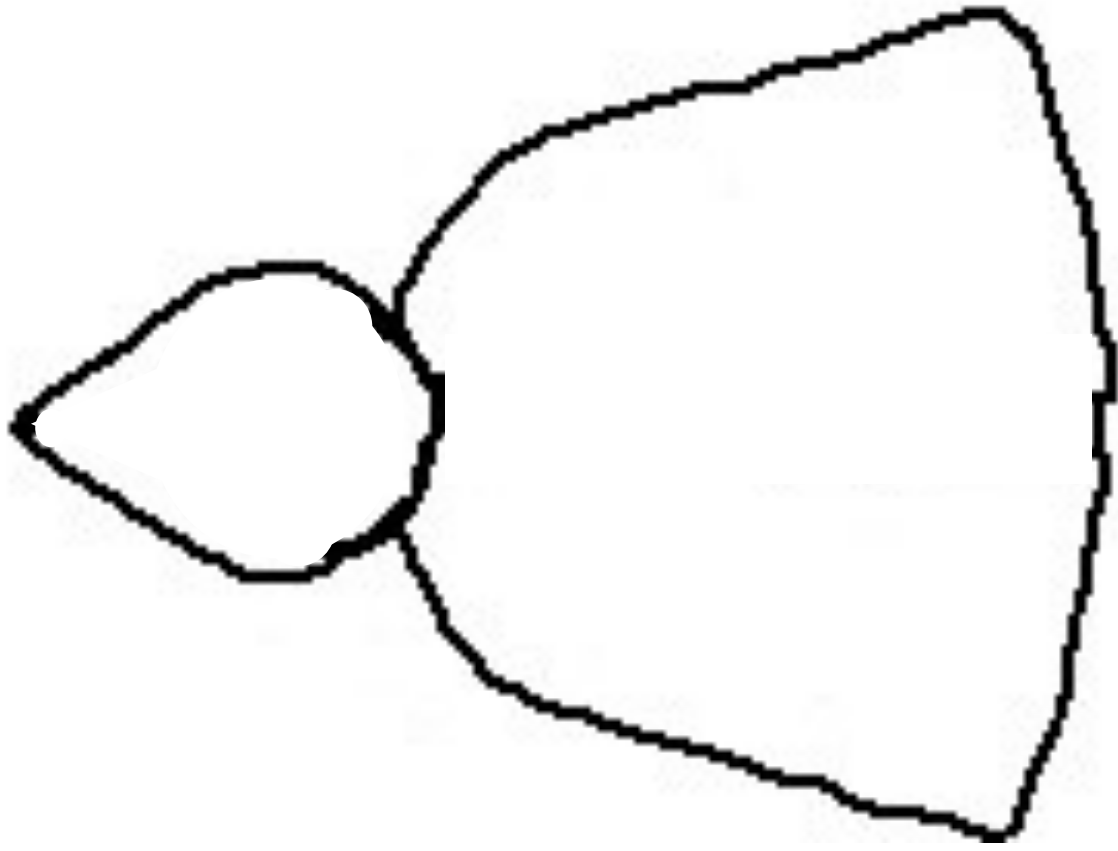


Follow the attached instructions and make your own book.

Email [Cowichan@virl.bc.ca](mailto:Cowichan@virl.bc.ca) or drop off this form at the Library (2687 James St.) or at the Red Balloon Toyshop (158 Craig St.) and mark the challenges you completed. Each challenge is worth one entry into the draw for a prize.

You Could Win Prizes from the library or \$20 Duncan Dollars

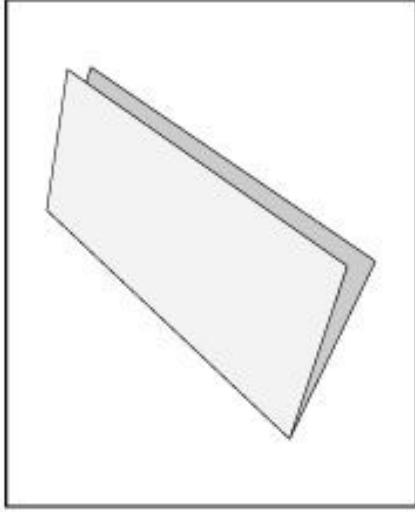
Name, Age group (teen/adult /child) and phone number \_\_\_\_\_



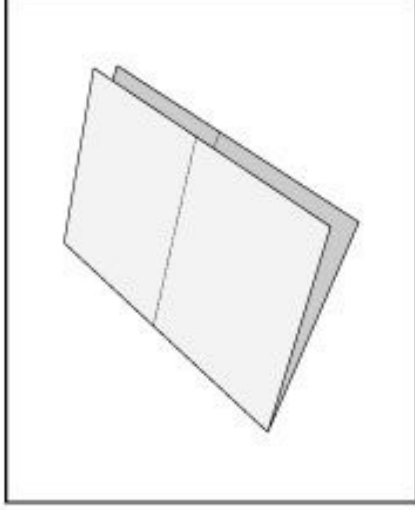
From: <https://www.makerist.com/patterns/little-red-riding-hood-cape-pdf-sewing-pattern>

# How to Make a Mini Booklet from a Sheet of Paper

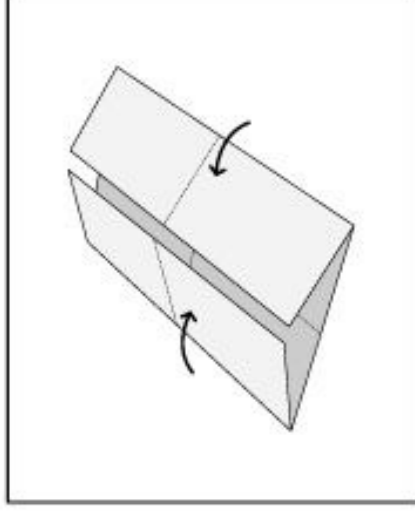
1. Fold a sheet of paper in half lengthwise.



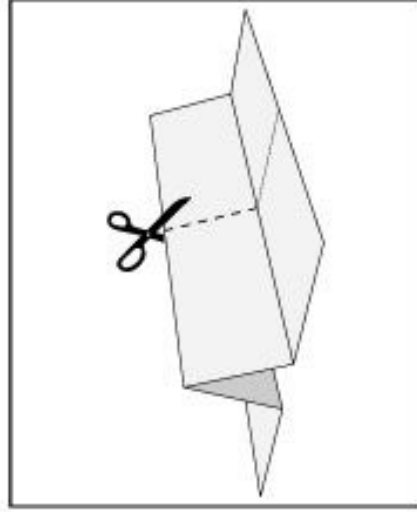
2. Unfold, then fold the paper in half widthwise.



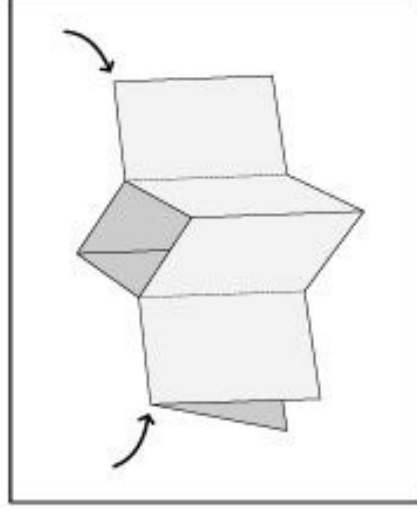
3. Unfold, then fold the edges up to the center fold.



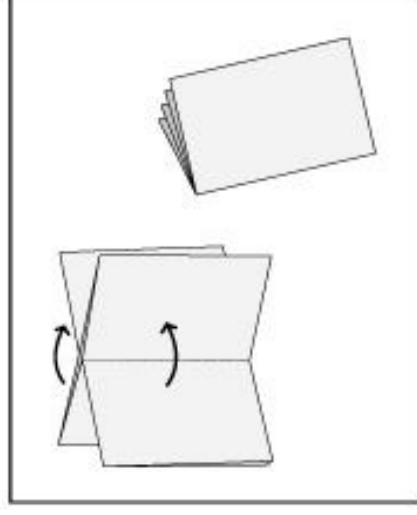
4. Unfold, then fold widthwise and cut a slit only half way down the center.



5. Unfold, then fold lengthwise and push the ends in towards the center.



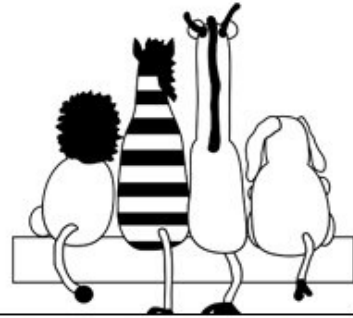
6. Fold all the pages together into a mini booklet.



©2016 Joshua Golter ~ www.SpanishMadeEasy.net

Name: \_\_\_\_\_

# Friendship Word Search



K	W	Z	H	J	Q	P	H	Y	G	D	B	T	F	S	U	K
U	L	Z	S	U	B	S	P	E	C	I	A	L	Z	C	O	L
N	M	Z	N	X	L	A	D	E	S	S	T	Z	B	S	N	K
D	F	F	V	T	R	U	S	T	J	C	W	R	M	H	D	A
E	A	Q	F	L	D	I	X	Y	J	I	B	C	H	A	C	Y
R	O	R	G	I	Q	W	K	Y	N	F	C	R	L	R	T	H
S	X	R	E	S	P	E	C	T	I	V	A	K	K	E	P	G
T	Y	A	Q	T	B	Z	L	I	M	J	R	I	O	W	B	Q
A	G	Z	P	E	N	Z	I	D	M	Q	I	T	T	B	H	C
N	C	R	W	N	W	V	L	M	E	V	N	J	Z	S	K	A
D	M	Z	P	S	R	L	E	M	Q	E	G	V	L	I	K	E
I	B	E	S	T	F	R	I	E	N	D	H	R	Z	H	G	E
N	S	U	B	W	Q	H	B	M	Z	Z	B	D	L	L	Q	K
G	A	G	C	A	M	M	X	O	Y	H	L	M	B	W	M	I
V	Y	N	O	V	Z	C	E	R	D	O	A	R	Z	U	I	N
O	H	E	L	P	S	S	R	I	S	Z	U	K	J	V	M	D
C	O	S	L	V	N	P	H	E	S	K	G	O	W	K	O	N
Y	C	C	Y	H	T	Q	T	S	G	K	H	A	L	D	Q	E
W	Y	B	C	O	N	F	I	D	E	I	T	V	E	R	B	S
F	H	K	O	B	J	A	Y	C	Y	I	E	L	Z	K	Z	S
R	R	G	W	T	T	Y	K	I	I	I	R	H	M	Q	H	I
U	C	O	O	P	E	R	A	T	E	S	K	Z	C	Q	M	D

CARING

BEST FRIEND

LAUGHTER

TRUST

SHARE

CONFIDE

MEMORIES

RESPECT

LISTENS

LIKE

UNDERSTANDING

SPECIAL

CO OPERATES

KINDNESS

HELPS

